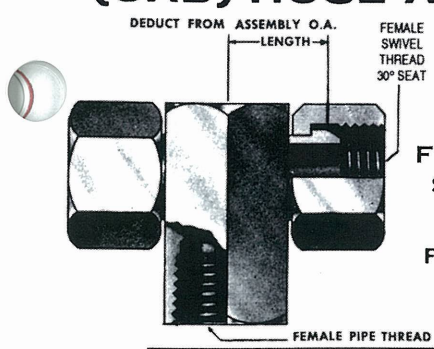


**(UAD) HOSE ADAPTERS Cont'd.**



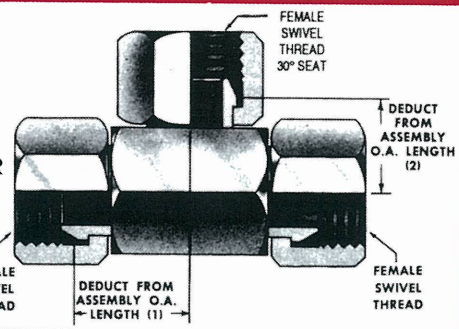
**LENZ FT-UAD**  
**FEMALE UNION TEE SWIVEL ADAPTER**

Female Pipe Branch, Female NPSM Swivels On Run

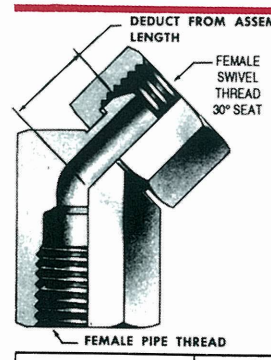
PART NO.	FEMALE PIPE TH'D	FEMALE SWIVEL TH'D	DEDUCT FROM ASS'Y O.A. LENGTH
4FT-4UAD	1/4	1/4	3/4
6FT-6UAD	3/8	3/8	7/8
8FT-8UAD	1/2	1/2	15/16
12FT-12UAD	3/4	3/4	1 3/16
16FT-16UAD	1"	1"	1 5/16

**LENZ T-UAD**  
**UNION TEE SWIVEL ADAPTER**

Female NPSM Swivels All Outlets



PART NO.	FEMALE SWIVEL TH'D.	(1) DEDUCT FROM ASS'Y. O.A. LENGTH	(2) DEDUCT FROM ASS'Y. O.A. LENGTH
2T-2UAD	1/8	5/8	17/32
4T-4UAD	1/4	7/8	3/4
6T-6UAD	3/8	1 1/16	7/8
8T-8UAD	1/2	1 1/2	1 5/16
12T-12UAD	3/4	1 5/8	1 3/16
16T-16UAD	1"	1 15/32	1 3/8



**LENZ FEX-UAD**  
**FEMALE 45° UNION ELBOW SWIVEL ADAPTER**

Female Pipe To Female NPSM Swivel

PART NO.	FEMALE PIPE TH'D.	FEMALE SWIVEL TH'D.	DEDUCT FROM ASS'Y. O.A. LENGTH
4FEX-4UAD	1/4	1/4	2 1/32
6FEX-6UAD	3/8	3/8	1 1/16
8FEX-8UAD	1/2	1/2	2 5/32
12FEX-12UAD	3/4	3/4	3 1/32
16FEX-16UAD	1"	1"	1 1/16

**LENZ HOSE FERRULES BRASS CRIMP TYPE**



Lenz crimp-type brass ferrules are made especially for use with Lenz Brass Stems shown on pages 10, 11, and 12. These ferrules make up strong, neat appearing assemblies for the least cost.

PART NO.	HOSE O.D.	PART NO.	HOSE O.D.
12FC	3/8	23FC	2 3/32
13FC	13/32	24FC	3/4
14FC	7/16	25FC	25/32
15FC	15/32	26FC	13/16
16FC	1/2	27FC	27/32
17FC	17/32	28FC	7/8
18FC	9/16	29FC	29/32
19FC	19/32	30FC	15/16
20FC	5/8	31FC	31/32
21FC	23/32	32FC	1"
22FC	1 1/16	—	—



We would like to call to your attention:

That **none** of the hose fittings manufactured and/or sold by **LENZ COMPANY** are to be used for life dependency applications such as in diving, for oxygen, air, or other breathing applications.

There are instances where the weight of long hose lines would be on the fitting with the possibility of the hose pulling out of the fitting. This could have disastrous results in a breathing application.

We specifically call your attention to the 90 through 136 Low Pressure Fittings shown in this Catalog LP 301, WDM, or revisions thereof. These fittings are intended for welding, low pressure hydraulics or pneumatics.

This **non-use** for life dependency applications such as in diving, for oxygen, air or other breathing applications applies to all of the hose fittings manufactured and/or sold by **LENZ COMPANY** and/or related companies. None of our fittings are designed for this type of use.

We, therefore, do not confirm this type of use, either written or verbal, and anyone giving this impression orally, written, or implied is doing so without our consent, and **LENZ COMPANY**, or any of its affiliates or related companies, assumes **no** liability in such cases.

It is critical that the O.D. and I.D. of the hose and fitting correspond. EXAMPLE: 1/4" I.D. and 1/2" O.D. We use 99 Series fittings.